



Thermal RC network (Foster)

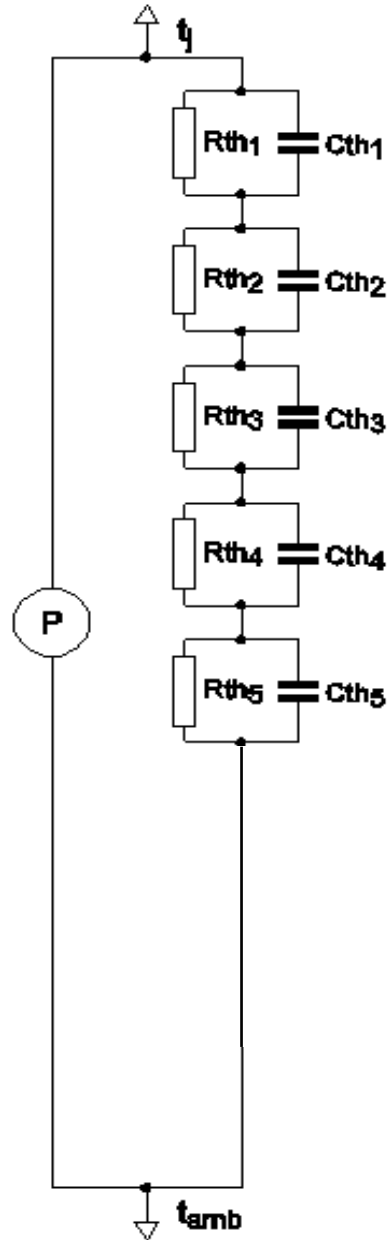
SPICE thermal model

PSMN1R2-25YL

Symbol	Parameter	Conditions	Min	Typ	Max	Unit
$R_{th(j-mb)}$	thermal resistance from junction to mounting base		-	-	0.40	K/W

C_{th1}	6.388E-03 F
C_{th2}	1.061E-02 F
C_{th3}	4.866E-03 F
C_{th4}	1.991E-02 F
C_{th5}	3.524E+01 F

R_{th1}	9.233E-04 Ω
R_{th2}	2.256E-02 Ω
R_{th3}	8.994E-02 Ω
R_{th4}	2.854E-01 Ω
R_{th5}	1.151E-03 Ω



Part: PSMN1R2-25YL

Date: 17/12/2015

Model Rth 0.40 K/W